

Description

12V Core Series Pure Sine Wave Inverters convert battery power into smooth 230V electricity, with a peak efficiency of 90%. These units are a great fit for your delicate appliances that need steady power.

When the grid goes down, your living space doesn't have to. Each inverter is equipped with a UPS feature that can switch from the grid to the battery in 50ms, keeping essentials from lights to freezers running during outages. Each inverter comes with a wired remote control, allowing you to manage the unit remotely.

Key Features

Efficient AC Power Output

Turn 12VDC battery power into 230VAC output with 90% peak conversion efficiency for a wide range of sensitive applications.

Ready for Outages

Keep lights and other essentials running by switching power from the grid to the connected battery in 50ms.

Comprehensive Protection

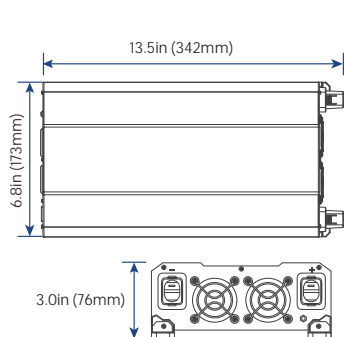
- Electronic overload protection with automatic shutdown
- Built-in internal DC fuse provides backup safety
- Low battery voltage protection with automatic shutdown
- Over temperature protection with automatic shutdown
- Output short circuit protection

Easy Remote Control

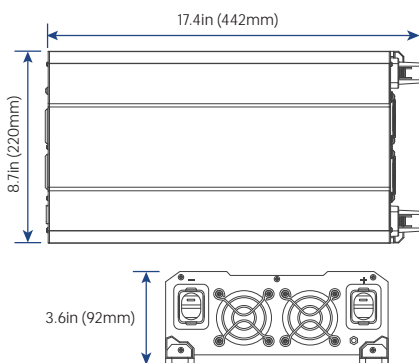
Includes a wired remote control that lets you turn on/off the inverter from a distance.



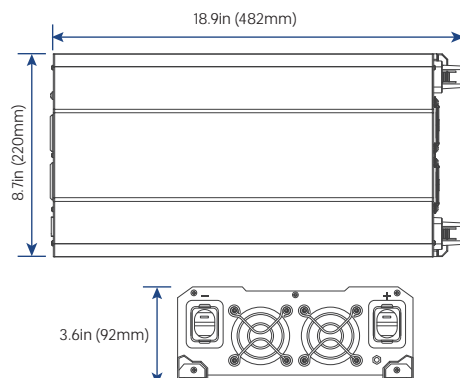
Product Dimensions



Core 12V 1kW Pure Sine Wave Inverter



Core 12V 2kW Pure Sine Wave Inverter



Core 12V 3kW Pure Sine Wave Inverter

Technical Specifications

Inverter Data

Model	R-INVT-PUH1-101235	R-INVT-PUH1-201235	R-INVT-PUH1-301235
Nominal Input Voltage	12VDC	12VDC	12VDC
Input Voltage Range	11 to 16VDC	11 to 16VDC	11 to 16VDC
Output Voltage	220 to 240VAC	220 to 240VAC	220 to 240VAC
Output Waveform	Pure Sine Wave	Pure Sine Wave	Pure Sine Wave
Output Frequency Range	50Hz	50Hz	50Hz
Continuous Output Power	1,000W	2,000W	3,000W
Peak Power	2,000W (@1s)	4,000W (@1s)	6,000W (@1s)
Total Harmonic Distortion (THD)	<5%	<5%	<5%
Protection	Overload Protection, Overvoltage Protection, Undervoltage Protection, Over-Temperature Protection, Short Circuit Protection		
Residual Current Protection	/	/	/
Self Consumption	<12W	<24W	<30W
Inverter Efficiency	90%	90%	90%
Remote On-Off	Yes	Yes	Yes
Transfer Time	50ms	50ms	50ms
Transfer Relay Rating	10A	16A	16A
Input Voltage Range	220 to 240VAC	220 to 240VAC	220 to 240VAC
Input Frequency Range	50Hz	50Hz	50Hz

General Data

Battery Types	AGM, GEL, FLD, LI	AGM, GEL, FLD, LI	AGM, GEL, FLD, LI
AC Terminals	AC Socket x1	AC Socket x2	AC Socket x2
DC Terminals	M8	M8	M8
Communication	/	/	/
Operating Temperature Range	-4°F to 104°F / -20°C to 40°C	-4°F to 104°F / -20°C to 40°C	-4°F to 104°F / -20°C to 40°C
Storage Temperature Range	-4°F to 158°F / -30°C to 70°C	-4°F to 158°F / -30°C to 70°C	-4°F to 158°F / -30°C to 70°C
Humidity Range	0% to 95% RH (No Condensation)	0% to 95% RH (No Condensation)	0% to 95% RH (No Condensation)
Cooling	Fans	Fans	Fans
Ingress Protection	IP20	IP20	IP20
Altitude	2,000m	2,000m	2,000m
Dimensions	13.5x 6.8 x 3.0in / 342 x 173 x 76mm	17.4 x 8.7 x 3.6in / 442 x 220 x 92mm	18.9 x 8.7 x 3.6in / 482 x 220 x 92mm
Weight	5.7 lbs / 2.6kg	10.6 lbs / 4.8kg	12.57 lbs / 5.7kg
Certification	CE, UKCA, RCM, R10, RoHS	CE, UKCA, RCM, R10, RoHS	CE, UKCA, RCM, R10, RoHS
Warranty	2-Year	2-Year	2-Year
Package Contents	Pure Sine Wave Inverter with Transfer Switch x1		
	User Manual x1		
	AC Power Cable x1		
	Remote x1		

Renogy and any of its affiliates have reserved the right to make any modifications to the information on this data sheet without notice. It is our goal to supply our customers with the most recent information regarding our products.

These data sheets can be found in the downloads section of our website, www.renogy.com.